



SINCE 1976

SHOWFOU PUMP

SUBMERSIBLE HIGHHEAD PUMP

修附電機



標檢局

ISO-9001/CNS12681

SH-
高揚程幫浦

SHA-
自動浮球幫浦

SH
Highhead Pump

SHA
Automatic High-head pump

(FOR CLEAN WATER)



SH 1HP-15HP



SHA 1HP

■ 使用沉水幫浦與傳統式離心幫浦比較及其特點:

1. 消除噪音公害。
2. 沉水式幫浦，特別設計放入於水池內使用，安靜、絕無噪音。
3. 不佔用地方、安裝簡便，無需保養免除灌水之麻煩。

■ 特點:

1. 馬達外殼、螺絲、濾水網皆採用不銹鋼製成。
2. 幫浦內部構造採用渦流式水流設計，並配合 2 極馬達，揚程高，水量大，適合一般高揚程送水。
3. 葉輪皆經過平衡試驗機校正，無振動產生的噪音，可增長幫浦使用壽命。

■ 用途:

1. 農業灌溉及水坡排水。
2. 淺水給水設備。
3. 公寓、大樓、別墅、住宅，給水設施。
4. 庭院花園噴水設備。
5. 其他高揚程送水、給水。

■ ADVANTAGES OF USING SUBMERSIBLE PUMP COMPARE TO CENTRIFUGAL PUMPS:

1. Quiet, no noise pollution.
2. Special designed submersible pumps for water-pool use, quiet and noiseless.
3. No special space required, easy installation maintenanceless and free of pre-filling water.

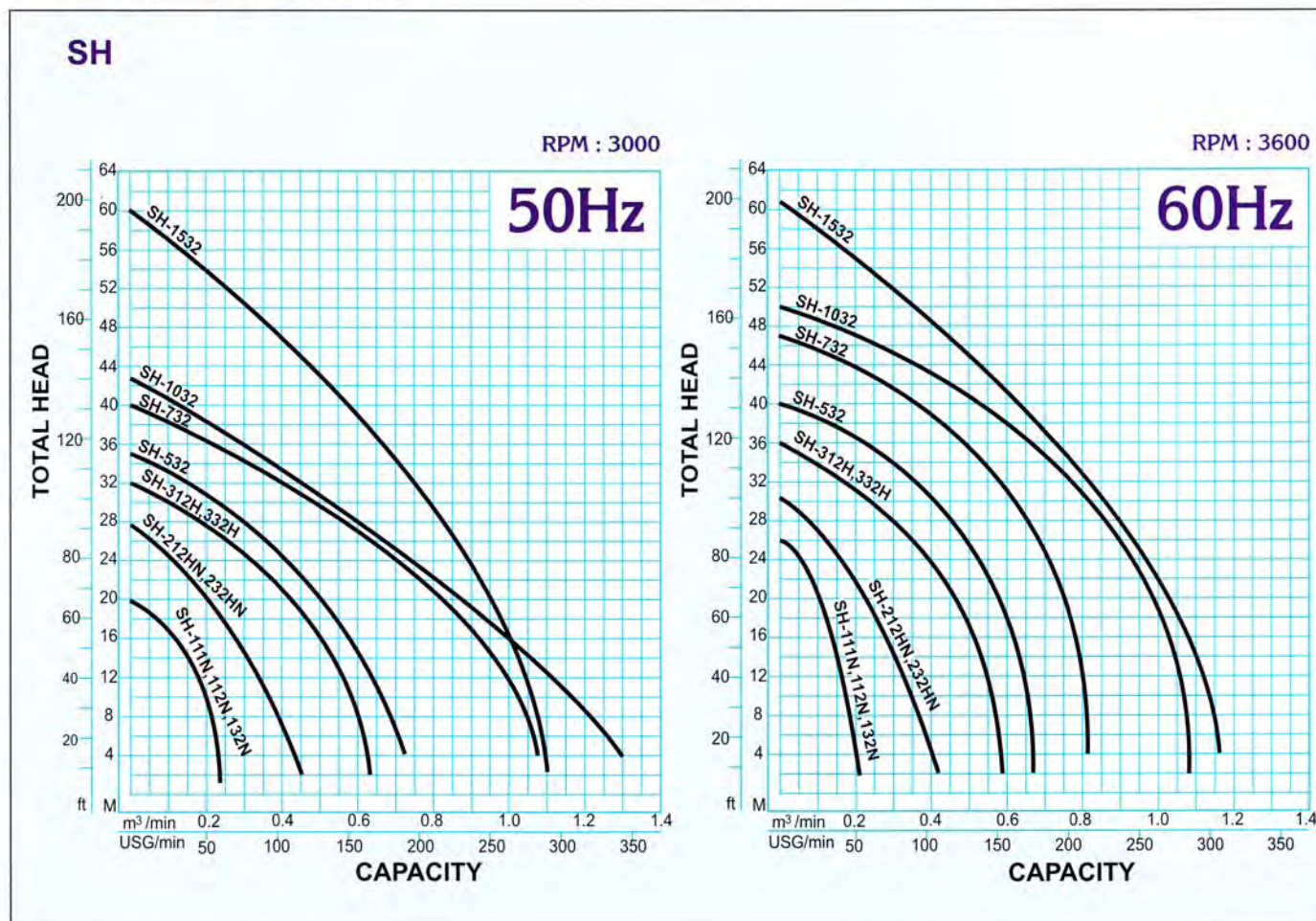
■ FEATURES:

1. The parts of motor casing screw & strainer are made of stainless steel.
2. Adopted turbine flow design and two poles motors, if get high head and capacity and save a third energy as compared with other brand pump.
3. The impeller is precisely balanced for maximum performance to assure smooth vibrationless and durable operation.

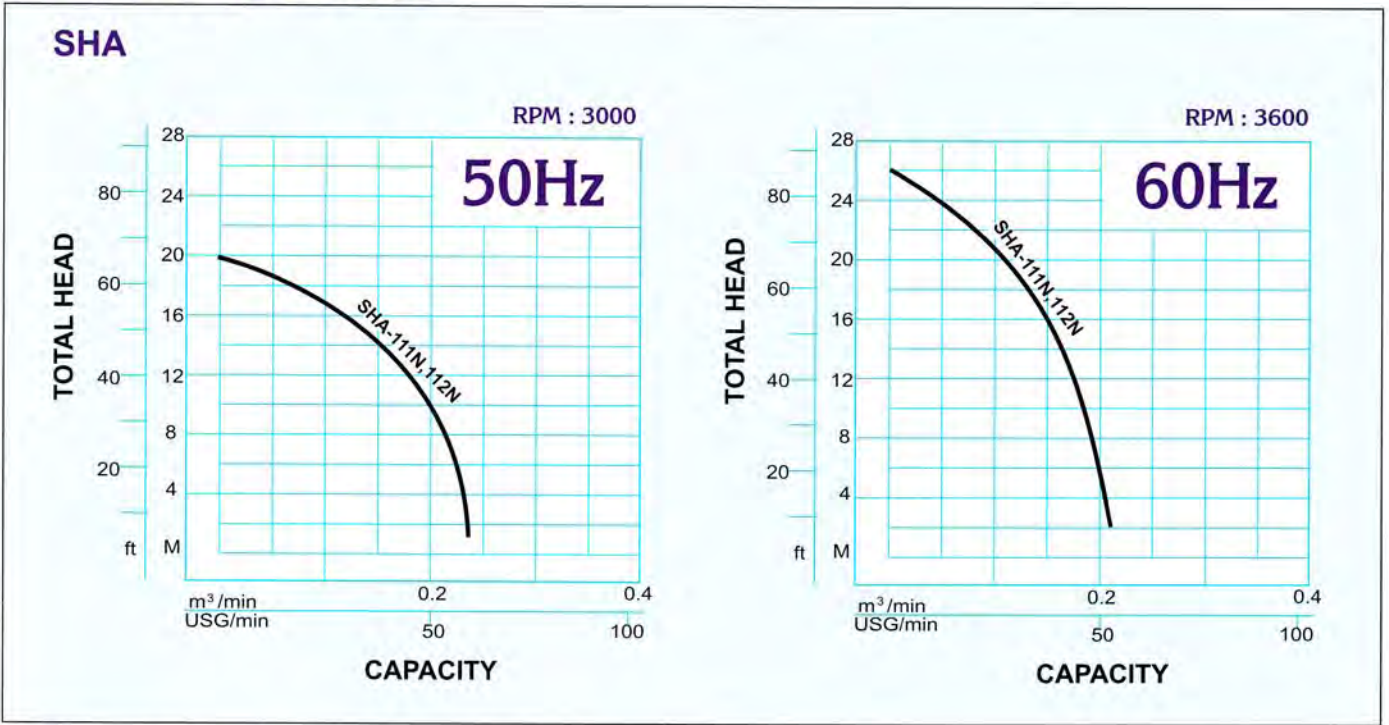
■ APPLICATIONS:

1. Agricultural irrigations and water supply in slope area.
2. Shallow well.
3. Water-supplying system of apartment, building.
4. Spraying system of yard and garden.
5. Any kind of high head water supply.

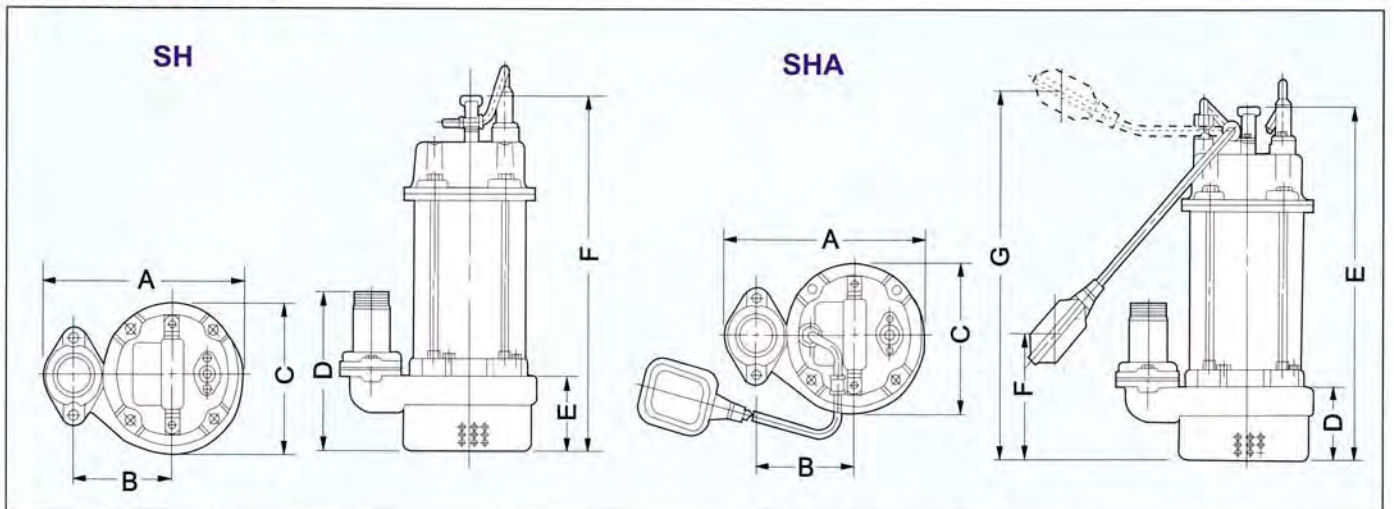
■ PERFORMANCE CURVE



PERFORMANCE CURVE



DIMENSIONS:



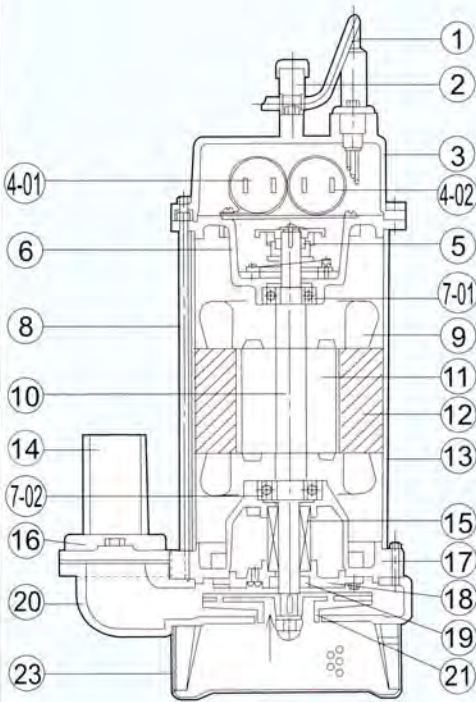
SPECIFICATIONS:

DIMENSIONS:

| 型式 TYPE | 電動機 MOTOR | | | 抽水機 PUMP | | | | | 電纜 Cable | 重量 Weight | 尺寸 SIZE | | | | | | | |
|---|-----------------|-------------|-----------|----------------|-----|-----------|------|-----------|-------------|----------------------|------------|-----|-----|-----|-----|-----|-----|------|
| | Power KW(HP) | Phase PH | Volt V | Disch. Dia. | | Max. Head | | Max. Flow | | | A | B | C | D | E | F | G | |
| | | | | inch | mm | 50Hz | 60Hz | 50Hz | | | | | | | | | | 60Hz |
| SH HIGHHEAD PUMP (FOR CLEAN WATER) | | | | | | | | | | | | | | | | | | |
| SH-111N | 0.75(1) | 1 | 110 | 1 1/2" | 40 | 20 | 26 | 0.24 | 0.21 | 2 ² x6 | 23 | 265 | 135 | 225 | 205 | 85 | 460 | |
| SH-112N | | | 220 | | | | | | | | | | | | | | | |
| SH-132N | | 3 | 200-480 | | | | | | | | | | | | | | | |
| SH-212HN | 1.5(2) | 1 | 200-480 | 2" | 50 | 28 | 31 | 0.45 | 0.43 | 3.5 ² x10 | 30 | 335 | 165 | 265 | 260 | 100 | 510 | |
| SH-232HN | | 3 | 200-480 | | | | | | | | | | | | | | | |
| SH-312H | 2.2(3) | 1 | 200-480 | 3" | 80 | 32 | 36 | 0.63 | 0.59 | 3.5 ² x10 | 46 | 335 | 192 | 265 | 290 | 100 | 540 | |
| SH-332H | | 3 | 200-480 | | | | | | | | | | | | | | | |
| SH-532 | 3.7(5) | 3 | 200-480 | 3" | 80 | 35 | 40 | 0.68 | 0.67 | 3.5 ² x10 | 49 | 335 | 192 | 265 | 290 | 100 | 460 | |
| SH-732 | 5.5(7 1/2) | 3 | 200-480 | 4" | 100 | 40 | 47 | 1.07 | 0.81 | 5.5 ² x10 | 77 | 420 | 210 | 280 | 300 | 150 | 610 | |
| SH-1032 | 7.5(10) | 3 | 200-480 | 4" | 100 | 43 | 50 | 1.29 | 1.08 | 5.5 ² x10 | 78 | 420 | 210 | 280 | 300 | 150 | 610 | |
| SH-1532 | 11(15) | 3 | 200-480 | 4" | 100 | 61 | 62 | 1.10 | 1.16 | 8 ² x10 | 120 | 450 | 250 | 300 | 340 | 200 | 700 | |
| SHA AUTOMATIC HIGHHEAD PUMP | | | | | | | | | | | | | | | | | | |
| SHA-111N | 0.75(1) | 1 | 110 | 1 1/2" | 40 | 20 | 26 | 0.24 | 0.21 | 2 ² x6 | 23 | 265 | 130 | 190 | 85 | 460 | 90 | 500 |
| SHA-112N | | | | | | | | | | | | | | | | | | |

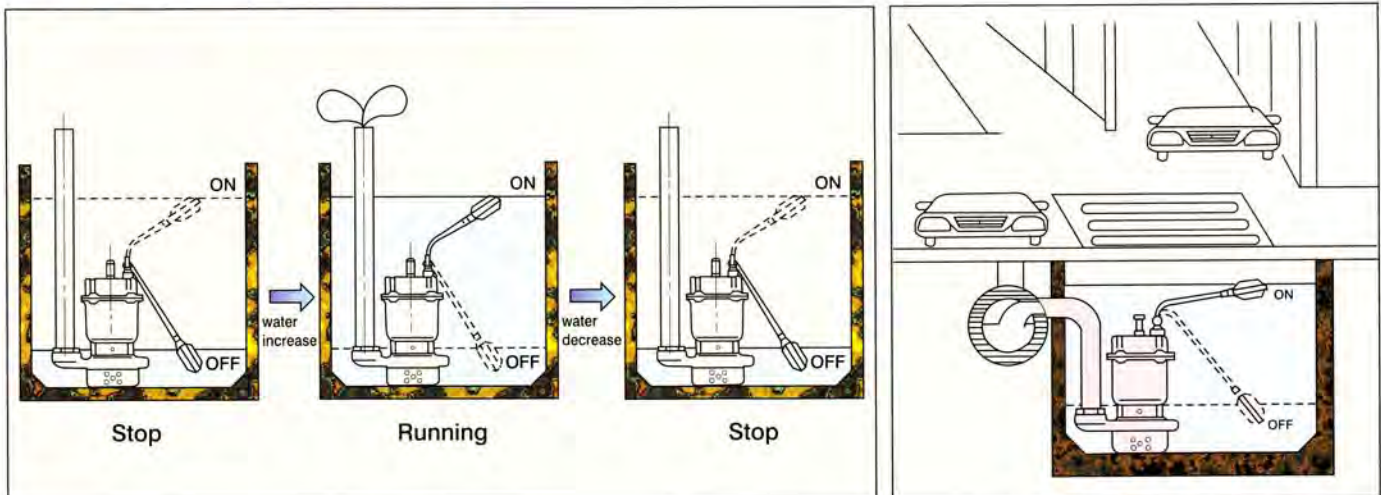
CONSTRUCTIONS:

SH/SHA



| NO. | PARTS LIST | MATERIAL | NO. | PARTS LIST | MATERIAL |
|------|---------------------|-----------------------------|-----|-----------------------|------------------|
| 1 | Cable | V.C.T. | 11 | Rotor | Steel Plate |
| 2 | Handle | Stainless Steel | 12 | Stator | Steel Plate |
| 3 | Motor Head Cover | Cast Iron | 13 | Motor Casing | Stainless Steel |
| 4-01 | Condenser(Starting) | 2HP/1 ϕ & 3HP/1 ϕ | 14 | Hose Coupling | Steel/Cast Iron |
| 4-02 | Condenser(Running) | 1 ϕ only | 15 | Mechanical Seal | Ceramic-Carbon |
| 5 | Centrifugal Switch | 2HP/1 ϕ & 3HP/1 ϕ | 16 | Flange Setter | Cast Iron |
| 6 | Upper Bracket | Cast Iron (1 ϕ only) | 17 | Motor Lower Cover | Cast Iron |
| 7-01 | Ball Bearing | | 18 | Mechanical Seal Cover | Plastic |
| 7-02 | Ball Bearing | | 19 | Oil Seal | Synthetic Rubber |
| 8 | Bolt | Stainless Steel | 20 | Pump Casing | Cast Iron |
| 9 | Coil | | 21 | Impeller | Bronze |
| 10 | Shaft | Stainless Steel | 23 | Strainer | Stainless Steel |

自動排水 Automatic Drainage



修附電機股份有限公司
SHOWFOU ELECTRIC MACHINE CO., LTD.

高雄縣岡山鎮(820)本工路66號
 No. 66, Bengong Road, Gangshan
 Kaohsiung County 820, Taiwan
 Tel No.: (07) 6226590
 Fax No.: +886-7-6226593
 e-mail: showfou@ms11.hinet.net
 http ://www.showfoupump.com.

PT. LUKES INDONESIA

Lindeteves Trade Center Lt UG, Blok B1 No. 6
 Jalan Hayam Wuruk, Jakarta - Indonesia
 Phone : 021 - 6231 7842, 628 5144
 Fax : 021 - 6231 0499
 email : lukes@cbn.net.id



All specifications subject to change without notice.